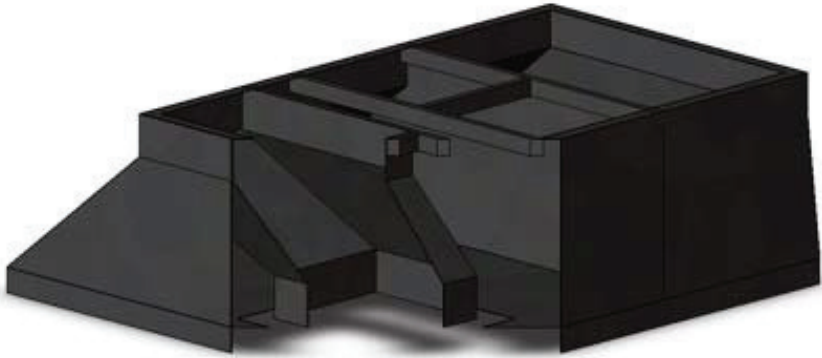




CDI CUSTOM CURB ADAPTERS

CONCENTRIC CURB ADAPTERS



▼ OPTIONS

- Double wall insulation
- Time specific delivery
- Field measure by CDI rep
- Vibration Isolation rail
- Insulation to meet your code

▼ STANDARD FEATURES

- Fully welded, one piece construction provides water tight seams
- No field assembly
- Welds are treated with a zinc rich coating for protection against corrosion
- Gasket included
- Labels that include: Customer name, PO#, job tag, new and old model #s, supply and return opening locations, and lifting lug locations
- Insulation is mechanically fastened & glued
- Lifting lugs

▼ WHY BUY

- Standard drawings available online
- One piece construction
- Fast and easy installation
- Seamless solution
- No void of roof warranty
- Customer up and running immediately
- Customer satisfaction
- No flat spots for water ponding

CDIcurbs.com ■ 1-888-234-7001

CONTACT ► CDI Sales Rep for pricing and availability

PROUDLY MADE IN AMERICA ■ CHARLOTTE ■ DALLAS ■ MINNEAPOLIS ■ PHOENIX ■ SEATTLE